



INTERSTATE-McBEE



**New and Remanufactured
Replacement Parts for
CUMMINS®
N14 SERIES MODELS
N14 / NTA14
ENGINES**



INTERSTATE-McBEE, LLC

5300 Lakeside Avenue • Cleveland, Ohio 44114 U.S.A.
216-881-0015 • Toll Free: 1-800-321-4234 • Fax: 216-881-0805
www.interstate-mcbee.com • E-mail: sales@interstate-mcbee.com

All manufacturer's names, symbols and descriptions are for reference only
and it is not implied that any part is the product of these manufacturers.

® CUMMINS and CELECT are registered trademarks of Cummins, Inc.



INTERSTATE-McBEE



Accessory Drive	10
Air Compressor	12
Cam Follower	8
Camshaft	7
Cooling System	12
CPL Reference	3-4
Crankshaft, Seals & Damper	7
Cylinder Components	5
Cylinder Head Bolts & Hardware	9
Cylinder Head Components	9
Cylinder Kits	3-4
Engine Bearings	6
Fuel Injectors	3-4
Fuel Injector Components – Electronic	14-15-16
Fuel Injector Components – STC	17
Fuel Injector Kits – Electronic	16
Fuel Injector Seals	10
Fuel System	11
Gasket Listing	13
Gasket Sets	6
Liner Flange Seal Rings	5
Lubrication System	11
Rocker Cover, Rocker Box & Push Tubes	8
Turbocharger Assembly	3-4
Turbocharger Parts	12
Vibration Damper	7
Warranty Policy	18-19

INTERSTATE-McBEE, LLC

5300 Lakeside Avenue • Cleveland, Ohio 44114-3996 U.S.A.
216-881-0015 • Toll Free: 1-800-321-4234 • Fax: 216-881-0805
www.interstate-mcbee.com • E-mail: sales@interstate-mcbee.com

N14 CPL REFERENCE

CPL #	MODEL	APP. CODE	PISTON KIT	CYL KIT	INFRAME KIT	INJECTOR	TURBO
1309§	NTA14		M-3803754	M-3803755	M-4024877	R-3069722	M-3804801
1324	N14-460E	91 A	M-3803754	M-3803755	M-4024877	R-3652541	M-3804801
1374§	N14-370	91 A	M-3803758	M-3803759	M-4024878	R-3078194	M-3804800
1380§	N14-330/350	91 A	M-3803758	M-3803759	M-4024878	R-3078197	M-3804800
1384	N14-460E	91 A	M-3803754	M-3803755	M-4024877	R-3652541	M-3804801
1385	N14-430E	91 A	M-3803754	M-3803755	M-4024877	R-3652541	M-3804801
1386	N14-430E	91 A	M-3803754	M-3803755	M-4024877	R-3652541	M-3804801
1389	N14-370E	91 A	M-3803754	M-3803755	M-4024877	R-3652541	M-3804801
1390	N14-370E	91 A	M-3803754	M-3803755	M-4024877	R-3652541	M-3804801
1391	N14-350E	91 A	M-3803754	M-3803755	M-4024877	R-3652541	M-3804801
1392	N14-330E	91 A	M-3803754	M-3803755	M-4024877	R-3652541	M-3804801
1393	N14-330E	91 A	M-3803754	M-3803755	M-4024877	R-3652541	M-3804801
1394	N14-310E	91 A	M-3803754	M-3803755	M-4024877	R-3652541	M-3804801
1395§	N14-310/330P	P	M-3803758	M-3803759	M-4024878	R-3078196	M-3804800
1405§	N14-410		M-3803758	M-3803759	M-4024878	R-3078195	M-3804801
1426	N14-410E		M-3803754	M-3803755	M-4024877	R-3652541	M-3804801
1445	N14-370E	91 A	M-3803754	M-3803755	M-4024877	R-3652541	M-3804801
1507§	N14-350P	P	M-3803758	M-3803759	M-4024878	R-3078194	M-3804800
1529§	N14-350P	P	M-3803758	M-3803759	M-4024878	R-3078197	M-3804800
1530§	NTA14-330	91 A	M-3803758	M-3803759	M-4024878	R-3078206	M-3804800
1532§	N14-330/350P	P	M-3803758	M-3803759	M-4024878	R-3078198	M-3804801
1533	N14-370E	91 A	M-3803754	M-3803755	M-4024877	R-3652541	M-3804801
1534	N14-370E	91 A	M-3803754	M-3803755	M-4024877	R-3652541	M-3804801
1535	N14-350E	91 A	M-3803754	M-3803755	M-4024877	R-3652541	M-3804801
1536	N14-330E	91 A	M-3803754	M-3803755	M-4024877	R-3652541	M-3804801
1537	N14-330E	91 A	M-3803754	M-3803755	M-4024877	R-3652541	M-3804801
1538	N14-310E	91 A	M-3803754	M-3803755	M-4024877	R-3652541	M-3804801
1540	N14-330E	91 A	M-3803754	M-3803755	M-4024877	R-3652541	M-3804801
1548	N14-460E		M-3803754	M-3803755	M-4024877	R-3652541	M-3804308
1572	N14-460E	91 A	M-3803754	M-3803755	M-4024877	R-3652542	M-3804801
1573	N14-370/410/430E	91 A	M-3803754	M-3803755	M-4024877	R-3652542	M-3804801
1574	N14-310/330/350E	91 A	M-3803754	M-3803755	M-4024877	R-3652542	M-3804801
1575	N14-460E		M-3803754	M-3803755	M-4024877	R-3652542	M-3804308
1580	N14-430/460E	91 A	M-3803754	M-3803755	M-4024877	R-3652542	M-3804308
1583	N14-370/420/430/460E		M-3803754	M-3803755	M-4024877	R-3652542	M-3804308
1607§	N14-370/410		M-3803758	M-3803759	M-4024878	R-3078195	M-3804801
1611	N14-440/500E		M-3803754	M-3803755	M-4024877	R-3081316	M-3804308
1649	N14-300E		M-3803754	M-3803755	M-4024877	R-3652542	M-3804801
1652§	N14-430		M-3803758	M-3803759	M-4024878	R-3078195	M-3804801
1807	N14-310/330/350/370E	94 A	M-3803739	M-3803740	M-4024881	R-3411759	M-3804805
1809	N14-410/435/445E	94 A	M-3803741	M-3803742	M-4024880	R-3411760	M-3800419
1809	N14-410/435/445E	94 A	M-3803741	M-3803742	M-4024880	R-3411760	M-3800395
1831	N14-430/460E	91 A	M-3803754	M-3803755	M-4024877	R-3652542	M-3804308
1833	N14-330/350E		M-3803739	M-3803740	M-4024881	R-3411765	M-3804805
1844	N14-410 to 500E	94 A	M-3803741	M-3803742	M-4024880	R-3411760	M-3800419
1844	N14-410 to 500E	94 A	M-3803741	M-3803742	M-4024880	R-3411760	M-3800395
1852	N14-500E		M-3803741	M-3803742	M-4024880	R-3411760	M-3800419
1878§	N14-430		M-3803758	M-3803759	M-4024878	R-3078195	M-3804801
1896	N14-410/435/460/500E		M-3803741	M-3803742	M-4024880	R-3411760	M-3800419
1896	N14-410/435/460/500E		M-3803741	M-3803742	M-4024880	R-3411760	M-3800395
1921§	NTA14-C	C	M-3803741	M-3803742	M-4024880	R-3084891	M-3804565
1921§	NTA14-C	C	M-3803741	M-3803742	M-4024880	R-3084891	M-3804568 Wet
1924	N14-525CE	C	M-3803741	M-3803742	M-4024880	R-3411764	M-3804738
1944	N14-430/460E		M-3803754	M-3803755	M-4024877	R-3652542	M-3804308
1956§	N14-350/370		M-3803758	M-3803759	M-4024878	R-3078194	M-3804800
1957§	N14-410		M-3803758	M-3803759	M-4024878	R-3078195	M-3804801
1987	N14-350ESP		M-3803741	M-3803742	M-4024880	R-3411760	M-3800419

§ = STC Timing ** = 2pc Piston Wet = Water cooled bearing housing.

All manufacturer's names, symbols and descriptions are used for reference only and it is not implied that any part is the product of these manufacturers.

N14 REPLACEMENT PARTS

CYLINDER COMPONENTS

PART #	QTY	DESCRIPTION	COMMENT
M-3803755	6	Cylinder Kit - Anodized Celect	Piston (3081268)
M-3803759	6	Cylinder Kit - Anodized STC	Piston (3081269)
M-3803740	6	Cylinder Kit - Articulated	Crown (3087635)
M-3803742	6	Cylinder Kit - Articulated	Crown (3087634)
M-3804636	6	Cylinder Kit - Articulated	Crown (3865113)
M-3803754	6	Piston Kit - Anodized Celect	Piston (3081268)
M-3803758	6	Piston Kit - Anodized STC	Piston (3081269)
M-3803739	6	Piston Kit - Articulated	Crown (3087635)
M-3803741	6	Piston Kit - Articulated	Crown (3087634)
M-3804630	6	Piston Kit - Articulated	Crown (3865113)
MCBN14SKIRT	6	Skirt	
M-3801826	6	Liner Kit STD	(3055099) includes seals
M-3803219	6	Liner Kit 20/40 OS	(3065405) includes seals
M-3800174	6	Liner Seal Kit	Includes crevice seal & O-rings
M-215090	6	Crevice Seal	
M-3032874	12	O-ring	
M-4089489	6	Ring Set	(M-3804500)
M-3064304	6	Piston Pin	
M-3064305	12	Piston Pin Retainer	

LINER FLANGE SEAL RINGS

PART #	QTY	DESCRIPTION	COMMENT
M-3054948	6	Seal Ring - .0205" Thick	Standard liner
M-4025380	6	Seal Ring - .0225" Thick	Standard liner
M-4025325	6	Seal Ring - .0235" Thick	Standard liner
M-4025326	6	Seal Ring - .0245" Thick	Standard liner
M-3019959	6	Seal Ring - .0310" Thick	Standard liner
M-3019960	6	Seal Ring - .0620" Thick	Standard liner
M-3066843	6	Seal Ring - .018" Thick	.020" / .040" liner
M-3065406	6	Seal Ring - .020" Thick	.020" / .040" liner
M-3066844	6	Seal Ring - .022" Thick	.020" / .040" liner

N14 REPLACEMENT PARTS

GASKET SETS

PART #	QTY	DESCRIPTION	COMMENT
M-4089368	1	Upper Set	STC
M-4089371	1	Upper Set	Electronic
M-4089368EB	1	Upper Set w/Brake Gaskets	STC
M-4089371EB	1	Upper Set w/Brake Gaskets	Electronic
M-4089369	1	Upper Set - Single Head	STC
M-4089370	1	Upper Set - Single Head	Electronic with 6 exhaust gaskets
M-4089372	1	Upper Set - Single Head	Electronic with 3 exhaust gaskets
M-JB11858	1	Engine Brake Gasket Set	
M-4025069	1	Lower Set	91N14 & STC Construction
M-4025068	1	Lower Set	94N14 & up
M-3804303	1	Oil Pan Gasket Set	
MCBN14INJ	6	Injector Seal Kit	Electronic
MCB215	1	Gear Cover Gasket Set	91N14 1.5" drive shaft
MCB225	1	Gear Cover Gasket Set	94N14 & up 2.0" drive shaft
MCB1401	1	Oil Cooler Gasket Set	Core Replacement
MCB1402	1	Oil Cooler Gasket Set	Assembly Overhaul

ENGINE BEARINGS

PART #	QTY	DESCRIPTION	COMMENT
M-3055145	12	Connecting Rod Bearing	STD
M-3055146	12	Connecting Rod Bearing	.010" OS
M-3055147	12	Connecting Rod Bearing	.020" OS
M-3055148	12	Connecting Rod Bearing	.030" OS
M-3055149	12	Connecting Rod Bearing	.040" OS
M-3801260	1	Main Bearing Set	STD
M-3801261	1	Main Bearing Set	.010" OS
M-3801262	1	Main Bearing Set	.020" OS
M-3801263	1	Main Bearing Set	.030" OS
M-3801264	1	Main Bearing Set	.040" OS
M-3801106	1	Camshaft Bearing Set	
M-3011951	1	Camshaft Bushing #7	
M-3028075	4	Camshaft Bushing #1,2,4,6	
M-3028269	2	Camshaft Bushing #3,5	
M-3011952	1	Camshaft Cup Plug	At rear of block
M-3064295	6	Connecting Rod Bushing	

N14 REPLACEMENT PARTS

CRANKSHAFT, SEALS & DAMPER

PART #	QTY	DESCRIPTION	COMMENT
M-3064291	1	Crankshaft	
M-3006736	1	Front Crankshaft Seal - Teflon	
M-3006742	1	Front Crankshaft Repair Sleeve	
M-3006737	1	Rear Crankshaft Seal - Teflon	Dry housing
M-3006738	1	Rear Crankshaft Seal - Teflon	Wet housing
M-3006743	1	Rear Crankshaft Repair Sleeve	
M-3067616	1	Rear Crankshaft Cover Gasket	(horseshoe)
M-3101655	1	Vibration Damper	13.5" diameter
M-204165	6	Vibration Damper Bolts	

CAMSHAFT

PART #	QTY	DESCRIPTION	COMMENT
M-3800855	1	Camshaft - STC engines	CPL's-1374,1380,1395,1405,1507,1529,1530,1532,1607,1652,1878,1921,1956,1957,2033,2038,2330,2453,2529,2575,2861,2862,8023
M-3803738	1	Camshaft - 94N14 & N14Plus	CPL's-1807,1809,1833,1844,1852,1896,1987,2003,2025,2026,2143,2306,2388,2389,2398,2492,2590
M-4024849	1	Camshaft - N14Plus	CPL's-2390,2391,2591,2592
M-215233	1	Thrust Washer	
M-3008530	1	Camshaft Support	
M-AR1176	1	Camshaft Support Shim Kit	
M-215705	1	Camshaft Support O-ring	
M-3011952	1	Block Plug	
MCB215	1	Gear Cover Gasket Set	91N14 1.5" drive shaft
MCB225	1	Gear Cover Gasket Set	94N14 & Plus 2" drive shaft

N14 REPLACEMENT PARTS

CAM FOLLOWER

PART #	QTY	DESCRIPTION	COMMENT
M-4025956	6	Injector Lever Roller	91N14
M-3412922	6	Injector Lever Pin	91N14
M-3036933	12	Valve Lever Roller	91N14
M-3013331	12	Valve Lever Pin	91N14
M-3161423	6	Injector Lever Roller	94N14 & Plus
M-3166388	6	Injector Lever Pin	94N14 & Plus
M-3865237	12	Valve Lever Roller	94N14 & Plus
M-3166428	12	Valve Lever Pin	94N14 & Plus
M-3064309	18	Roll Pin	
M-3064621	18	Socket	
M-205401	6	Shaft Plug	
M-3068473	3	Housing Gasket .032"	
M-3068475	3	Housing Gasket .042"	
M-3068476	3	Housing Gasket .047"	
M-3068477	3	Housing Gasket .052"	

ROCKER COVER, ROCKER BOX & PUSH TUBES

PART #	QTY	DESCRIPTION	COMMENT
M-3066311	3	Rocker Cover Gasket	
M-3068135	3	Brake Mounting Gasket	
M-4058981	3	Rocker Box Gasket	
M-3058462	12	Bushing Valve Rocker Arm	
M-3074376	3	Rocker Shaft	
M-3074375	3	Rocker Shaft	
M-203933	6	Shaft Plug	
M-3066291	12	Valve Push Rod	
M-3067932	6	Injector Push Rod	91N14
M-3073499	6	Injector Push Rod	94N14 & Plus

N14 REPLACEMENT PARTS

CYLINDER HEAD COMPONENTS

PART #	QTY	DESCRIPTION	COMMENT
M-3803360	12	Intake Valve Kit - 30°	91N14
M-3803854	12	Intake Valve Kit - 20°	94N14 & up
M-3054590	12	Intake Seat - 30°	91N14
M-3084020	12	Intake Seat - 20°	94N14 & up
M-3803770	12	Exhaust Valve Kit - 30°	91N14
M-3803726	12	Exhaust Valve Kit - 30°	94N14 & non-automotive
M-3800891	12	Exhaust Valve Kit - 45°	N14Plus Automotive
M-3069692	12	Exhaust Seat - 30°	91N14
M-3076515	12	Exhaust Seat - 30°	94N14 & non-automotive
M-3084041	12	Exhaust Seat - 45°	N14Plus Automotive
M-3072369	48	Valve Lock	
M-3064312	24	Valve Guide - STD	
M-3070460	24	Valve Spring	
M-4026228	24	Valve Spring Guide - Retainer	
M-3064281	24	Valve Guide Seal	
M-3070486	6	Injector Tube - STD	< 6/1997
M-3071147	6	Injector Tube - Thicker Nose	< 6/1997
M-3406702	6	Injector Tube - STD	> 6/1997
M-3007759	6	Injector Tube O-ring	
M-147100	2	Fuel Crossover	
M-70772	12	Fuel Crossover Screw	
M-131026	12	Fuel Crossover O-ring	
M-135308	2	Fuel Cover Plate	

CYLINDER HEAD BOLTS & HARDWARE

PART #	QTY	DESCRIPTION	COMMENT
M-3071161	36	Head Bolt	11/16 - 16 x 7¼ inch
M-3071075	36	Head Bolt Washer	5/8 inch
M-3007634	3	Expansion Plug	¾"
M-3007635	6	Expansion Plug	1"
M-3007636	2	Expansion Plug	1¼"
M-3027106	2	Dowel	
M-68445	6	Groove Pin	
M-S911B	10	Pipe Plug	1/8" NPT

N14 REPLACEMENT PARTS

ACCESSORY DRIVE

(DESCENDING FRONT TO REAR)

PART #	QTY	DESCRIPTION	COMMENT
M-3078307	1	Accessory Drive Assembly	2.0" drive 94N14 & up with iron housing
M-3023473	1	Accessory Drive Pulley	
M-3012526	1	Pulley Nut	
M-193136	1	Washer	
M-3008947	1	Keyway Seal	
M-70550	1	Dowel Pin	
M-3004316	1	Oil Seal	1.5" drive 91N14
M-3800616	1	Oil Seal	2.0" drive 94N14 & up
M-3800617	1	Oil Seal & Sleeve	2.0" drive 94N14 & up
M-132770	1	Drive Bushing	1.5" drive 91N14
M-3411389	1	Drive Bushing	2.0" drive 94N14 & up
M-142689	1	Gear	1.5" drive 91N14
M-3078310	1	Gear	2.0" drive 94N14 & up
M-3034438	1	Groove Pin	
M-3000171	1	Drive Shaft	1.5" drive 91N14
M-3076500	1	Drive Shaft	2.0" drive 94N14 & up
M-3076225	1	Gasket	Drive to block
M-3000174	1	Spline Coupling	
M-170664	1	Spline Coupling Washer	
M-3000173	1	Spline Coupling Bolt	
M-199349	1	Sleeve Coupling	
M-3076226	1	Gasket	Compressor to drive
M-101918	1	Jaw Hub Coupling	Compressor rear
M-3046200	1	Spider Coupling	
M-4026171	1	Gasket	Fuel Pump Mounting

FUEL INJECTOR SEALS

(SEE CPL MATRIX FOR COMPLETE INJECTOR ASSEMBLIES)

PART #	QTY	DESCRIPTION	COMMENT
M-193736	18	O-ring Injector Body	STC
M-3001340	6	O-ring Seal	Oil tube to head rail
M-3052587	6	O-ring Seal	Oil tube to injector
M-3050867	6	Grommet Seal	Oil tube to top of head
MCBN14INJ	6	Injector Seal Kit	Electronic – External O-ring
MCB26124	6	Injector Seal Kit & Filter	Electronic – Installation
MCB26129	6	Injector Repair Kit - Minor	Seals & springs
MCB3060001	6	Injector Repair Kit - Major	Seals, springs, spring retainer & harness
M-3076256	6	Wire Harness	

N14 REPLACEMENT PARTS

FUEL SYSTEM

(SEE CPL MATRIX FOR COMPLETE INJECTOR ASSEMBLIES)

PART #	QTY	DESCRIPTION	COMMENT
M-4024808	1	Shutdown Solenoid	12V single pole
M-3803282	1	STC Valve Repair Kit	
M-3803478	1	Fuel Pump Seal & Gasket Kit	Step bore housing
M-3803477	1	Fuel Pump Oil Seal Kit	
M-3034243	1	Gear Fuel Pump	3/4" STC
M-4010324	1	Gear Fuel Pump	1 1/4"
M-3824010	6	Electrical Injector Connector	
M-3928624	6	Connector Seal Ring	

LUBRICATION SYSTEM

PART #	QTY	DESCRIPTION	COMMENT
M-3803369	1	Oil Pump	91N14 Helical gear
M-3803698	1	Oil Pump	94N14 & up – Spur gear
M-3067613	1	Mounting Gasket	
M-3884126	1	Regulator Plunger	
M-3010146	1	Regulator Plunger Spring	
MCB1401	1	Cooler Core Gasket Set	
MCB1402	1	Cooler Assembly Gasket Set	
M-3413091	1	Oil Cooler	
M-3069678	2	Mounting Gasket	
M-109080	2	O-ring Seal	
M-3072375	2	O-ring Seal	Retainer plate
M-3059408	1	Cooler Thermostat	
M-3072341	1	Thermostat Gasket	
M-3070477	1	Support Gasket	
M-3066298	1	Support Gasket	
M-4058947	6	Piston Cooling Nozzle	91N14 & up
M-4058941	6	Nozzle O-ring	91N14 & up
M-3046947	1	Oil Pan	Front sump aluminum
M-3030257	1	Oil Pan	Rear sump aluminum
M-3099083	1	Oil Pan Gasket	
M-3029847	1	O-ring Seal	Tube to pan
M-3034986	1	Rectangular Seal	Tube to pump
M-157551	1	Gasket	Gasket to pump
M-3055069	1	Magnetic Drain Plug	
M-67946	1	Drain Plug Sealing Washer	

N14 REPLACEMENT PARTS

COOLING SYSTEM

PART #	QTY	DESCRIPTION	COMMENT
M-3803605	1	Water Pump Assembly	
M-3803612	1	Water Pump Repair Kit - Minor	Seals & gaskets
M-3803614	1	Water Pump Repair Kit - Major	
M-3066330	1	Idler Assembly	
M-217638	1	Belt	Poly groove
M-3076489	1	Thermostat 180°	91N14 & 94N14
M-186780	1	Seal	91N14 & 94N14
M-3066285	1	Gasket	91N14 & 94N14
M-3064313	1	Gasket	91N14 & 94N14
M-43463A	2	O-ring Seal	Transfer tube
M-4973373	2	Thermostat 180°	N14 Plus
M-186780	2	Seal	N14 Plus
M-3865236	1	Gasket	N14 Plus
M-43463A	2	O-ring Seal	N14 Plus

TURBOCHARGER (SEE CPL MATRIX FOR COMPLETE TURBO ASSEMBLIES)

PART #	QTY	DESCRIPTION	COMMENT
M-3801523	1	Bearing & Seal Kit	BHT3C models
M-3801522	1	Seal Kit	BHT3C models
M-3069177	1	Mounting Gasket	
M-201048	1	Gasket Oil Drain	
M-3037537	1	O-ring Oil Feed	
M-3056158	4	Nut	3/8-24 UNF

AIR COMPRESSOR

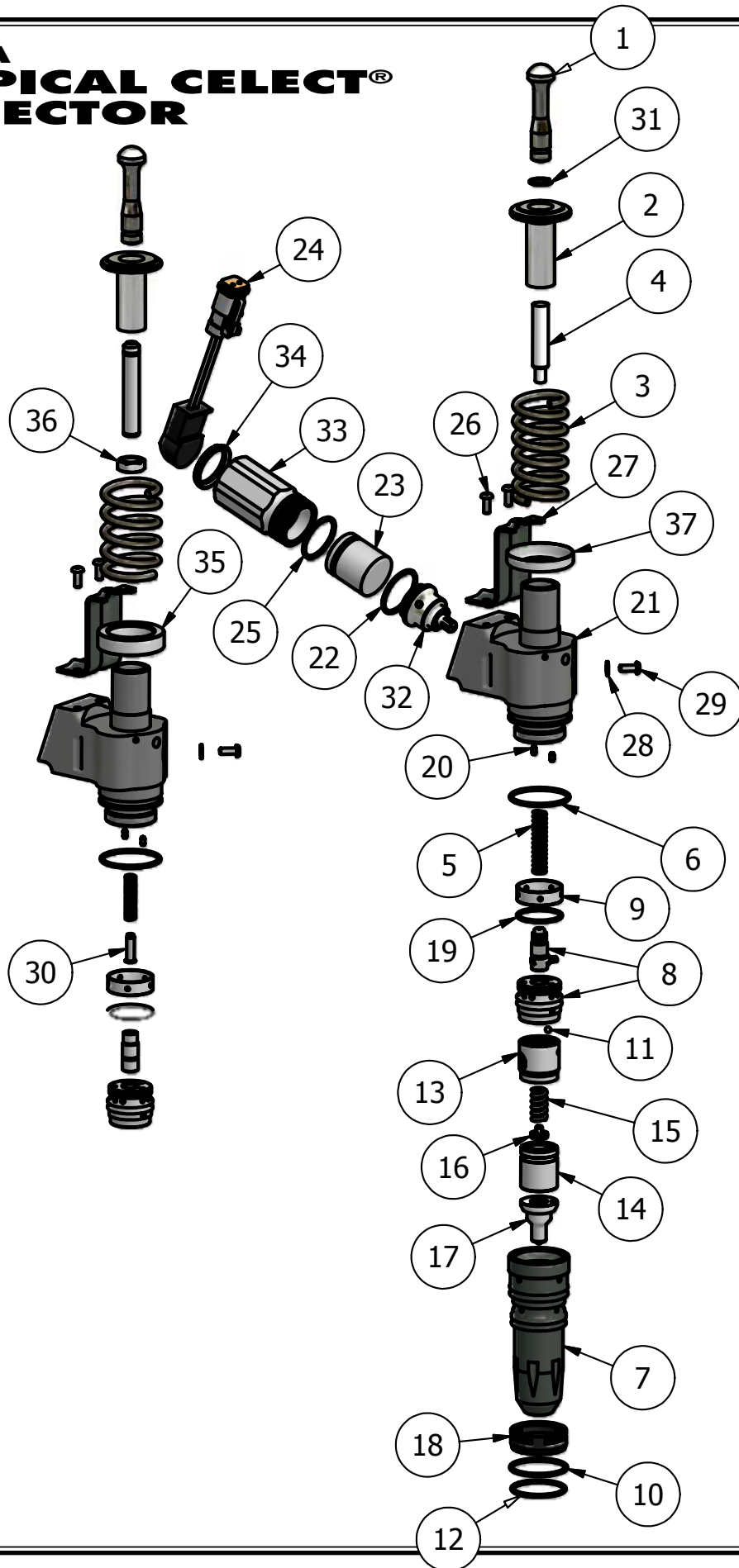
PART #	QTY	DESCRIPTION	COMMENT
M-AR12719	1	Valve Repair Kit	Holset® 13.2 single
M-3801733	1	Head Repair Kit	Holset® 13.2 single
M-3801728	1	Head Repair Kit	With unloader body Holset® 13.2 single
M-3803930	1	Piston Kit STD	91N14 13.2 Single (AR73350 Ring set)
M-3803931	1	Piston Kit 010" OS	91N14 13.2 Single (AR73351 Ring set)
M-3803932	1	Piston Kit 020" OS	91N14 13.2 Single (AR73352 Ring set)
M-3803933	1	Piston Kit 030" OS	91N14 13.2 Single (AR73353 Ring set)
M-119810	1	Pin	
M-3558754	2	Pin Retainer	
M-3018151	1	Connecting Rod	Holset® 13.2 single
M-AR10922	1	Crankshaft	Holset® 13.2 single

N14 REPLACEMENT PARTS

GASKET LISTING

DESCRIPTION	NOTE	PART#	QTY
Accessory Drive Gasket	Drive to Block	M-3069101	1
Air Compressor Gasket	Compressor to Drive Support	M-3069102	1
Cam Follower Gasket		M-3068473	3
Cam Support O-ring		M-215705	1
Cylinder Head Gasket	Current Edge Molded Design	M-4058790	3
Engine Brake Gasket		M-4920093	3
Exhaust Manifold Gasket		M-3020943	6
Exhaust Manifold Gasket	Plus Engines	M-3865235	3
Fuel Pump Mounting Gasket		M-3069103	1
Gear Cover Gasket	Cover to Block	M-4058949	1
Hand Hole Gasket		M-3068466	1
Hydraulic Pump Gasket		M-3558515	1
Injector O-ring	STC	M-193736	18
Injector O-ring	Electric - Top Red	M-3070136	6
Injector O-ring	Electric - Middle White	M-3070137	6
Injector O-ring	Electric - Bottom Blue	M-3070138	6
Intake Manifold Gasket		M-3008591	3
Oil Filter Head Gasket		M-3070478	1
Oil Pan Drain Gasket	Washer 11/32"	M-67946	1
Oil Pan Gasket		M-3099083	1
Oil Pump Cover Gasket		M-3014778	1
Oil Pump Mounting Gasket		M-3067613	1
Oil Transfer Tube Gasket		M-157551	1
Oil Transfer Tube O-ring	Tube to Pick Up	M-3029847	1
Oil Transfer Tube Seal	Rectangular	M-3034986	1
Piston Nozzle O-ring		M-3068527	6
Rear Seal Cover Gasket		M-3067616	1
Rocker Box Gasket	Box to Head	M-4058981	3
Rocker Cover Gasket		M-3066311	3
Thermostat Housing Gasket	Mounting	M-3064313	1
Thermostat Housing Gasket	Housing to Housing	M-3066285	1
Thermostat Housing O-ring	On Transfer Tube	M-43463A	2
Thermostat Seal		M-186780	1
Turbo Intake Seal	Rectangular	M-3068510	1
Turbo Mounting Gasket		M-3069177	1
Turbo Oil Drain Gasket		M-201048	1
Turbo Oil Feed O-ring		M-3037537	1
Turbo Outlet Seal		M-3066211	1
Water Pump Gasket		M-3076522	1

FIG.A
TYPICAL CELECT®
INJECTOR



All manufacturer's names, numbers, symbols and descriptions are used for reference only and do not imply that any part listed is the product of these manufacturers.

N14 REPLACEMENT PARTS

ELECTRONIC FUEL INJECTOR COMPONENTS

FIG. A	PART NO.	DESCRIPTION	NOTE	QUANTITY
1	M-3078226	Injector Plunger Link	91N14 and Up	1
1	M-3072485	Injector Plunger Link	91N14 for R-3652541 and R-3652542	1
2	M-3083863	Plunger Coupling	91N14 and Up	1
2	M-3081342	Plunger Coupling	91N14 for R-3652541 and R-3652542	1
3	M-3411340	Plunger Coupling Spring	91N14 and Up	1
3	7991021	Plunger Coupling Spring	91N14 for R-3652541 and R-3652542	1
4	M-3087552	Upper Plunger – Male	91N14 and Up	1
4	7991022	Upper Plunger – Female	91N14 for R-3652541 and R-3652542	1
5	M-3081388	Upper Plunger Spring – Male	91N14 and Up	1
5	M-3081371	Upper Plunger Spring – Female	91N14 for R-3652541 and R-3652542	1
6	M-3070136	O-Ring Seal Top	Red	1
10	M-3070137	O-Ring Seal Middle	White	1
12	M-3070138	O-Ring Seal Bottom	Blue	1
7	M-3073244	Cup Retainer		1
7	M-3070184	Cup Retainer	For R-3652541	1
8	M-3411711	Plunger and Barrel – Male	91N14 and Up	1
8	7991093	Plunger and Barrel – Female	91N14 for R-3652541 and R-3652542	1
9	M-3070113	Injector Sleeve		1
11	M-3076068	Ball Check		1
13	M-3072823	Spring Housing Spacer Assembly		1
	M-3072819	– Spring Housing Spacer		1
	M-3072822	– Socket Set Screw		1
	M-3072820	– Spring		1
	M-3072821	– Spring Guide		1
14	M-3066736	Valve Spring Housing		1
15	M-3066738	Valve Spring		1
16	M-3067426	Valve Spring Retainer		1
16	M-3067426+1	Valve Spring Retainer	Oversize .003"	1
16	M-3067426-1	Valve Spring Retainer	Undersize .003"	1
17	M-3609861	Spray Tip Assembly	Injector R-3411759	1
17	M-3609855	Spray Tip Assembly	Injector R-3411760	1
17	M-3609852	Spray Tip Assembly	Injector R-3411761	1
17	M-3409978	Spray Tip Assembly	Injector R-3411762	1
17	M-3087791	Spray Tip Assembly	Injector R-3411763	1
17	M-3088175	Spray Tip Assembly	Injector R-3411764	1
17	M-3411690	Spray Tip Assembly	Injector R-3411765	1
17	M-3411694	Spray Tip Assembly	Injector R-3411766	1

N14 REPLACEMENT PARTS

ELECTRONIC FUEL INJECTOR COMPONENTS

FIG. A	PART NO.	DESCRIPTION	NOTE	QUANTITY
17	M-3411388	Spray Tip Assembly	Injector R-3411767	1
17	M-3076071	Spray Tip Assembly	Injectors R-3652541 and R-3654542	1
18	M-3071967	Filter Screen		1
19	M-3068959	Barrel O-Ring		1
20	7991016	Groove Pin	91N14 and Up	2
21	7991019	Injector Body	91N14 for R-3652541 and R-3652542	1
21	7991025	Injector Body		1
22	M-3034408	Control Valve O-Ring		1
23	M-3811021	Solenoid		1
24	M-3076256	Wiring Harness		1
25	M-3075658	Solenoid O-Ring		1
26	M-3075613	Socket Head Cap Screw		2
27	M-3080766	Coupling Retainer		1
28	M-3080421	Sealing Washer		1
29	M-3075613	Socket Head Cap Screw		1
30	7991066	Plunger Spring Guide		1
31	M-3072486	Link Retainer		1
32	7991123	Control Valve Assembly		1
33	7991089	Solenoid Nut		1
34	7991091	Retaining Ring		1
35	M-3080767	Spacer	91N14 for R-3652541 and R-3652542	1
36	7991026	Plunger Spacer	91N14 for R-3652541 and R-3652542	1
37	M-3411775	Spring Retainer		1

ELECTRONIC FUEL INJECTOR KITS

PART NO.	DESCRIPTION	CONTAINS REFERENCE NUMBER IN FIG. A	QUANTITY
MCBN14INJ	External O-ring Kit	6, 10, 12	1
MCB26124	External O-ring Kit & Filter	6, 10, 12, 18	1
MCB26104	O-ring & Hardware Kit	6, 10, 12, 19, 22, 26, 28, 29	1
MCB26129	Injector Repair Kit	5, 6, 10, 12, 11, 15, 18, 19, 22, 25, 26, 28, 29	1
MCB3060001	Injector Repair Kit & Harness	5, 6, 10, 12, 11, 15, 16, 18, 19, 22, 24, 25, 26, 28, 29	1

N14 REPLACEMENT PARTS

STC INJECTOR COMPONENTS

DESCRIPTION	PART#									
		R-3078194	R-3078195	R-3078196	R-3078197	R-3078198	R-3084891	R-3095023	R-3095055	R-3349821
Link Retainer	M-3052231	X	X	X	X	X	X	X	X	X
Tappet - HVT	M-3075383	X	X	X	X	X	X	X	X	X
Tappet Repair Kit	M-3804700	X	X	X	X	X	X	X	X	X
Injector Stop Screw	M-3055742	X	X	X	X	X	X	X	X	X
Spring Retainer	M-3066707	X	X	X	X	X				
Spring Retainer	M-3052218						X	X	X	X
Compression Spring - Large OD	M-3060615	X	X	X	X	X				
Compression Spring - Small OD	M-3060614	X	X	X	X	X				
Compression Spring - Large OD	M-3023478						X	X	X	X
Compression Spring - Small OD	M-3034167						X	X	X	X
Adaptor Injector Body	M-3066695	X	X	X	X	X				
Adaptor Injector Body	M-3023934						X	X	X	X
Orifice Plug Gasket	M-173086	X	X	X	X	X	X	X	X	X
Orifice Plug Screen	M-3008706	X	X	X		X				
Orifice Plug Screen	M-3054999				X		X	X	X	X
Screen Retainer	M-174299	X	X	X	X	X	X	X	X	X
Check Ball	M-167157	X	X	X	X	X	X	X	X	X
Roll Pin	M-203426 (2)	X	X	X	X	X	X	X	X	X
Plunger & Barrel	M-3069707	X	X	X	X	X				
Plunger & Barrel	M-3084892						X	X	X	X
Injector Cup	M-3073573	X								
Injector Cup	M-3073575		X							
Injector Cup	M-3073570			X						
Injector Cup	M-3071648				X					
Injector Cup	M-3074253					X				
Injector Cup	M-3084895						X			
Injector Cup	M-3095024							X		
Injector Cup	M-3069764								X	
Injector Cup	M-3349822									X
Cup Retainer	M-3066693	X	X	X	X	X				
Cup Retainer	M-185138						X	X	X	X

INTERSTATE-MCBEE, LLC LIMITED EXTENDED WARRANTY

• Engine Parts – U.S.A. and Canada

COVERAGE

Diesel Engine

New engine parts furnished by Interstate-McBee are warranted to be free from defects in material and workmanship under normal use and service for a period of twenty-four (24) months from the date of installation, without mileage or hour limitation. This warranty applies to all owners in the chain of distribution, i.e. distributor, dealer, original owner, until the end of the respective periods of coverage and shall not apply to subsequent owners.

Natural Gas or Methane Engine and Prime Power Generation

New engine parts furnished by Interstate-McBee are warranted to be free from defects in material and workmanship under normal use and service, for a period of twelve (12) months from the date of installation. This warranty applies to all owners in the chain of distribution, i.e. distributor, dealer, original owner, until the end of the respective periods of coverage and shall not apply to subsequent owners.

Castings

Cylinder head and cylinder block castings are warranted for 12 months from date of installation; part replacement only, no progressive damage, no labor.

Fuel Injection parts and countries not included here-in are covered under a separate warranty titled "Interstate-McBee, LLC LIMITED General Products warranty." This warranty does not apply to parts provided by Interstate-McBee on a no-charge basis. In no event shall this warranty extend beyond thirty (30) months from date of sale or manufacture.

INTERSTATE-MCBEE RESPONSIBILITIES

Interstate-McBee will pay only for parts and labor needed to repair damages directly resulting from an above defined warranty failure to the functional condition existing immediately prior to the failure, including progressive damage to the engine in which the warrantable part was installed, provided Interstate-McBee's inspection of said failed part or parts discloses to our satisfaction to have been defective. Labor cost will be paid in accordance with published labor rates, but not to exceed reasonable flat rates times nor Interstate McBee's standard hourly rate. No overtime or holiday rates will be allowed. Only new or rebuilt Interstate-McBee or Interstate-McBee approved parts will be used in making the repair.

OWNER'S RESPONSIBILITIES

Owner is responsible for the operation and maintenance of the engine as specified in the APPLICABLE O.E.M. OPERATION AND MAINTENANCE MANUALS. Owner must give notice within (30) days of any suspected failure and before expiration of applicable warranty to be considered warrantable. Owner will provide alleged defective and associated parts for examination by Interstate-McBee and, if requested, return same F.O.B. Cleveland, Ohio. Interstate-McBee further reserves the right to examine any engine subject to a claim under this warranty. Approved warranty work is to be performed by an authorized Interstate-McBee Distributor or Dealer or other Interstate-McBee approved facility. Owner is responsible for all costs, including, but not limited to, repairs made to items other than the engine in which the parts are installed, "downtime" expenses and all business costs and losses resulting from a warrantable failure. OWNER MUST GET AUTHORIZATION FROM INTERSTATE-MCBEE'S WARRANTY ADMINISTRATOR (ALONG WITH A RETURN MATERIAL AUTHORIZATION FORM) PRIOR TO FILING A WARRANTY CLAIM WITHIN SAID WARRANTY PERIOD

WARRANTY LIMITATIONS

Interstate-McBee is not responsible for failure resulting from owner or operator abuse or neglect, such as, but not limited to: operation without adequate coolant, fuel or lubricants; overfueling; overspeeding; lack of maintenance of lubricating, coolant or air intake systems; improper storage, starting, warm-up, run-in or shut down practices. Interstate-McBee is not responsible for failures resulting from improper repair or installation, for parts that have been altered or for parts not approved by Interstate-McBee. This warranty does not apply to parts furnished on a no charge basis. Interstate-McBee does not warrant parts supplied by Interstate-McBee which bear the name and or trademark of another company. These parts are warranted by their manufacturers and not by Interstate-McBee. In no event shall this warranty extend beyond (30) months from the date of sale. THERE ARE NO WARRANTIES EXPRESSED, IMPLIED OR STATUTORY, FOR THE PARTS NAMED HEREIN BEFORE, MADE BY INTERSTATE-MCBEE OTHER THAN SET FORTH HEREIN. We neither assume nor authorize any other persons to assume for us any other liability in connection with our products. INTERSTATE-MCBEE SHALL NOT BE RESPONSIBLE FOR ANY OTHER CONSEQUENTIAL DAMAGES OR CONTINGENT LIABILITIES. Further, in no event shall Interstate-McBee bear any responsibility for any damages, which exceed the then available aggregate coverage provided under the terms and conditions of its product liability policy. Fuel Injection parts and countries not included here-in are covered under a separate warranty titled "Interstate-McBee, LLC LIMITED General Products warranty."

This warranty for the U.S.A. & Canada shall be interpreted, governed and enforced in accordance with the laws of the State of Ohio, U.S.A. (For products not covered herein, see Interstate-McBee's General Product Warranty.) Any actions or proceedings relating to this warranty must be filed or commenced within three (3) months of the alleged breach. If any of these warranty provisions or portions thereof prohibited by law or by any court of competent jurisdiction, in any locality, its invalidity or unenforceability shall not affect the validity or enforceability of any other warranty provisions or portions thereof. This warranty applies to parts sold by Interstate-McBee on or after August 2007.

INTERSTATE-MCBEE, LLC LIMITED GENERAL PRODUCTS WARRANTY

- **Export & Remanufactured Engine Parts**
- **All Fuel Injection, New & Remanufactured**

COVERAGE

The parts furnished by Interstate-McBee are warranted to be free from defects in material and workmanship under normal use and service for a period of twelve (12) months, 100,000 miles or 2,000 hours of operation, whichever comes first, from date of first installation in an engine. This warranty applies to all owners in the chain of distribution, i.e. distributor, dealer, original owner, until the end of the respective periods of coverage and shall not apply to subsequent owners.

This warranty does not apply to parts provided by Interstate Interstate-McBee on a no-charge basis. In no event shall this warranty extend beyond eighteen (18) months from date of sale or manufacture.

INTERSTATE-MCBEE RESPONSIBILITIES

The obligation of Interstate-McBee under this warranty, statutory or otherwise, is limited to the replacement or repair of Interstate-McBee parts, which our inspection discloses to our satisfaction to have been defective. Repair will be performed at our factory in Cleveland, OH or other Interstate-McBee approved facility. Proof of purchase is required.

OWNER'S RESPONSIBILITIES

Owner is responsible for the operation and maintenance of the engine as specified in the APPLICABLE O.E.M. OPERATION AND MAINTENANCE MANUALS. Owner must give notice within (30) days of any suspected failure and before expiration of applicable warranty to be considered warrantable. Owner will provide alleged defective and associated parts for examination by Interstate-McBee and, if requested, return same F.O.B. Cleveland, Ohio. Interstate-McBee further reserves the right to examine any engine subject to a claim under this warranty. Owner is responsible for all costs, including, but not limited to, repairs made to items other than the engine in which the parts are installed, "downtime" expenses and all business costs and losses resulting from a warrantable failure. OWNER MUST GET AUTHORIZATION FROM INTERSTATE-MCBEE'S WARRANTY ADMINISTRATOR (ALONG WITH A RETURN MATERIAL AUTHORIZATION FORM) PRIOR TO FILING A WARRANTY CLAIM WITHIN SAID WARRANTY PERIOD

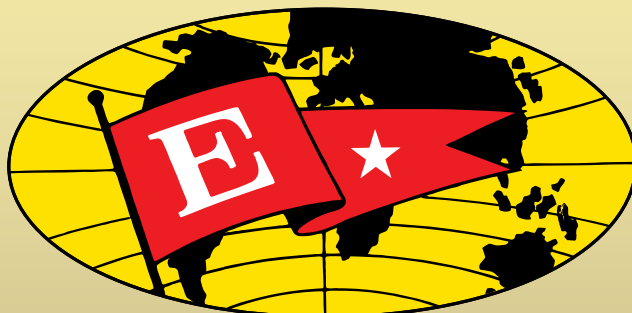
WARRANTY LIMITATIONS

Interstate-McBee is not responsible for failure resulting from owner or operator abuse or neglect, such as, but not limited to: operation without adequate coolant, fuel or lubricants; overfueling*; overspeeding; lack of maintenance of lubricating, coolant or air intake systems; improper storage, starting, warm-up, run-in or shut down practices. Interstate-McBee is not responsible for failures resulting from improper repair or installation, for parts that have been altered or for parts not approved by Interstate-McBee. This warranty does not apply to parts furnished on a no charge basis. Interstate-McBee does not warrant parts supplied by Interstate-McBee which bear the name and or trademark of another company. These parts are warranted by their manufacturers and not by Interstate-McBee. In no event shall this warranty extend beyond eighteen (18) months from the date of sale. THERE ARE NO WARRANTIES EXPRESSED, IMPLIED OR STATUTORY, FOR THE PARTS NAMED HEREIN BEFORE, MADE BY INTERSTATE-MCBEE OTHER THAN SET FORTH HEREIN. We neither assume nor authorize any other persons to assume for us any other liability in connection with our products. INTERSTATE-MCBEE SHALL NOT BE RESPONSIBLE FOR ANY OTHER CONSEQUENTIAL DAMAGES OR CONTINGENT LIABILITIES. Further, in no event shall Interstate-McBee bear any responsibility for any damages, which exceed the then available aggregate coverage provided under the terms and conditions of its product liability policy. *covered on fuel injection products

This warranty shall be interpreted, governed and enforced in accordance with the laws of the State of Ohio, U.S.A. (For products not covered herein, see Interstate-McBee's Extended Warranty). Any actions or proceedings relating to this warranty must be filed or commenced within three (3) months of the alleged breach. If any of these warranty provisions or portions thereof is prohibited by law or by any court of competent jurisdiction, in any locality, its invalidity or unenforceability shall not affect the validity or the enforceability of any other warranty provisions or portions thereof.

This warranty applies to parts sold by Interstate on or after August, 2007.

U.S.A. Presidential Award



For Excellence in Export



INTERSTATE-McBEE



OHIO

5300 Lakeside Avenue
Cleveland, OH 44114 U.S.A.

Tel: 216-881-0015

FAX: 216-881-0805

E-mail: sales@interstate-mcbee.com

CALIFORNIA

13137 Arctic Circle
Santa Fe Springs, CA 90670 U.S.A.

Tel: 562-356-5414

FAX: 562-926-2452

FLORIDA

9955 NW 58th Street
Doral, FL 33178 U.S.A.

Tel: 305-863-6650

FAX: 305-863-6272

Serving the diesel industry since 1947 with quality fuel injection and engine parts.